

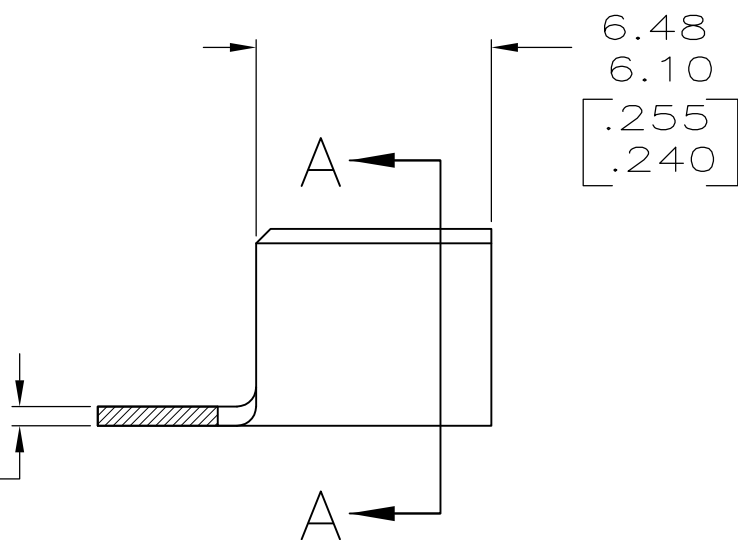
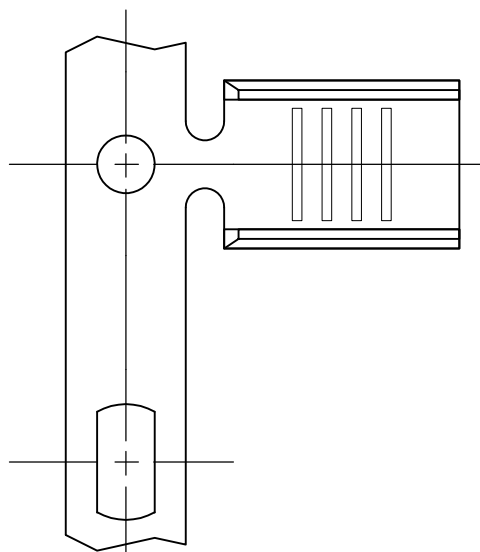
THIS DRAWING IS UNPUBLISHED.

RELEASED FOR PUBLICATION

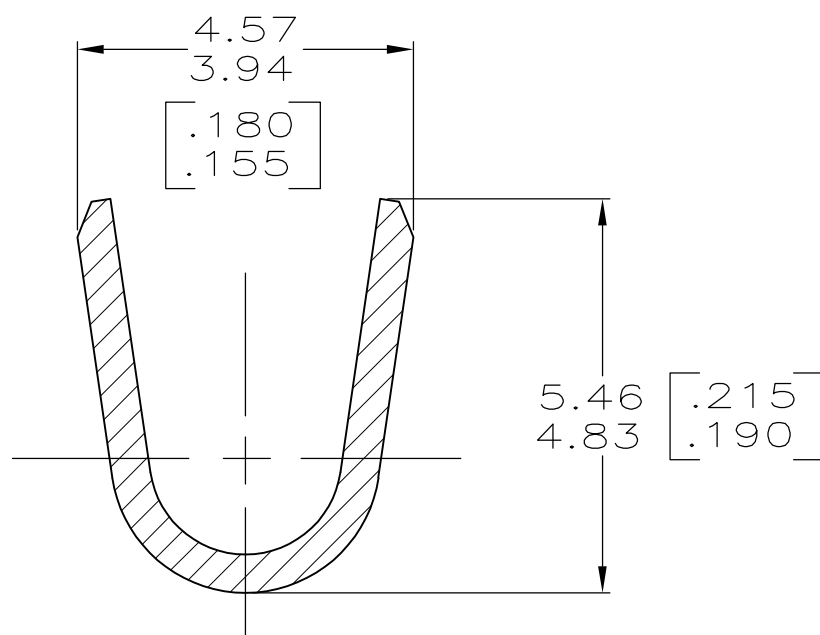
© COPYRIGHT - By -

ALL RIGHTS RESERVED.

LOC	DIST	REVISIONS					
		P	LTR	DESCRIPTION	DATE	DWN	APVD
AF	50		P1	REVISED PER ECO-11-004917	11MAR11	RK	HMR



0.508±0.025
[.020±.001]



SECTION A-A
SCALE 10:1

- 1 PRODUCT PROVIDED IN STRIP FORM ON REELS; BREAKS MAY BE PRESENT
- 2 SPLICE FREE REELING
- 3 WIRE RANGE FOR NEW APPLICATIONS: 4000-9000 CMA (WIRE RANGE APPROVED FOR APPLICATIONS IMPLEMENTED PRIOR TO 2005: 3000-8400 CMA).
- 4 CRIMP WIDTH = .140 F TYPE
CRIMP HEIGHT (±.002) = (TOTAL CMA + 14,400) / 223,100.
- 5 PRODUCT LUBRICANT APPLICATOR AVAILABLE FOR TE CONNECTIVITY TERMINATION EQUIPMENT MAY BE REQUIRED TO FACILITATE CRIMPING
- 6 PRELIMINARY - NOT FOR PRODUCTION.

FINISH	MATERIAL	WIRE RANGE	PART NO.
TIN	H00 COPPER		485043-7
	-		-
	-		-
NICKEL	T3 STEEL	3 4 5	485043-4
TIN	T3 STEEL		485043-3
TIN	H04 BRASS		485043-2
-	H04 BRASS		485043-1

OBSOLETE

THIS DRAWING IS A CONTROLLED DOCUMENT.		DWN 11/MAY/95 PHILLIP M FORTNEY	STE TE Connectivity		
DIMENSIONS: INCHES		CHK 11/MAY/95 JEFF R RUTH			
TOLERANCES UNLESS OTHERWISE SPECIFIED:		APVD 11/MAY/95 MARK BARNABA	NAME		
0 PLC ± -		PRODUCT SPEC	SPLICE		
1 PLC ± -		APPLICATION SPEC	SIZE CAGE CODE DRAWING NO RESTRICTED TO		
2 PLC ± 0.25 [.010]		114-2088	A3 00779 C-485043		
3 PLC ± -		WEIGHT -	SCALE 5:1 SHEET 1 OF 1 REV P1		
4 PLC ± -					
ANGLES ± -					
FINISH SEE TABLE					
MATERIAL SEE TABLE					
		CUSTOMER DRAWING			